

# UTC-532

## 32" Ubiquitous Touch Computer UTC-532F with Intel® Skylake i5-6300U UTC-532E with Intel® Haswell i5-4300U

NEW



### Features

- High Performance, Fanless
- Built in Intel® Skylake i5-6300U (UTC-532F)
- Built in Intel® Haswell i5-4300U (UTC-532E)
- Providing Natural Viewing Experience with 16:9 32" Display
- Front panel complies with IP65 protection standard
- All in one aluminum extrusion design
- Landscape & Portrait screen mode support by different applications
- VESA 200 mm standard mounting holes for varied mounting demands
- Attachable design for panel & peripherals to extend function and applications



### Introduction

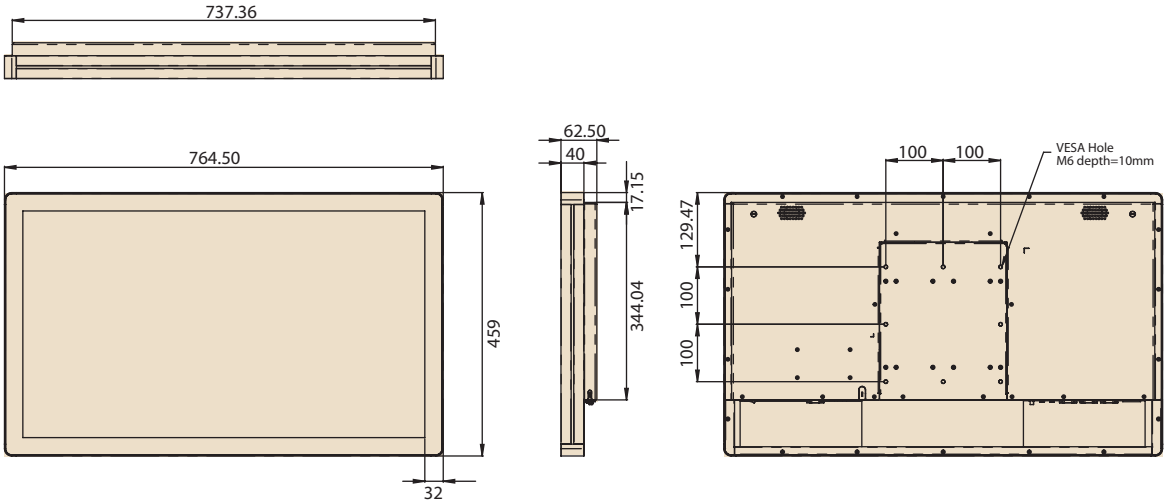
UTC-532 features an all-in-one computing system equipped with wide format, touch based LCD panel. It is easy to integrate key peripherals and display systems for diversified self-service and interactive signage deploy in different application areas. The systems deliver updated information with well-designed interactive interfaces, fully ensure relevant content and targeted promotions are delivered. UTC series touch panel computers are the best investments to enhance user satisfaction, further brand equity, and maximize business profits.

### Specifications

Processor System	CPU	Intel® Core™ i5-6300U (UTC-532F) Intel® Core™ i3-6100U (Available)* Intel® Core™ i7-6600U (Available)*	Intel® Core™ i5-4300U (UTC-532E) Intel® Core™ i3-4010U (Available)* Intel® Celeron® 2980U (Available)*
	Base Frequency	2.4 GHz (Dual Core)	1.9 GHz (Dual-Core)
	Cache	L3 Cache 3 MB	3 MB
	Memory	2 x SO-DIMM DDR3L 1600 MHz up to 16 GB	1 x SO-DIMM DDR3L 1333 / 1600 MHz up to 8 GB
	HDD	1 x 2.5 internal SATA HDD bay	
	Network (LAN)	2 x Gigabit Ethernet ports	
	I/O Ports	2 x RS-232 COM (RS-422/485)* 2 x USB 2.0, 2 x USB 3.0 2 x Gigabit Ethernet (RJ-45) 1 x VGA 1 x HDMI Audio Line-out x 1, Mic-in x 1	2 x RS-232 COM (RS-422/485)* 2 x USB 2.0, 2 x USB 3.0 2 x Gigabit Ethernet (RJ-45) 1 x VGA 1 x HDMI Audio Line-out x 1, Mic-in x 1
	Stereo Speaker	3 W x 2	
	Bus expansion	Full-size MiniPCIe/mSATA	
	Dimensions (W x H x D)	764.5 x 459 x 62.5 mm (30.09" x 18.07" x 2.46")	
Weight	14.5 Kg (31.9lb)		
OS Support	Win 7 Pro / Embedded Windows 7 / Win 10 IoT / Linux 14.04 (UTC-520E) / Linux 16.04 (UTC-520F)		
Environmental Specifications	Operating Temperature	0 ~ 40° C (32 ~ 104° F)	
	Relative Humidity	10 ~ 95% @ 40° C non-condensing	
	Vibration	0.5G	
	Shock	5 G peak acceleration (11 msec. duration)	
	Certification	CE, FCC, UL, CB, CCC, BSMI	
	Front Panel Protection	IP65/ NEMA4 Compliant	
Power	Input Rating	100-240V <sub>AC</sub> ~ 50/60Hz 2.5A	
	Power consumption	Typical 95W Max. 105W	
LCD Display	Size/Type	31.5" TFT LCD with LED backlight	
	Max.Resolution	1920 x 1080	
	Max. Color	16.7 M	
	Pixel Pitch (mm)	0.36375 (H) x 0.36375 (W)	
	Brightness (cd/m <sup>2</sup> )	300	
	View Angle	178°/178°	
Touch Screen (PE/GE)	Type	Projected Capacitive Touch Panel (Pcap. Flat Glass) / Glass Panel (No touch function)	
	Light Transmission	90% ± 2% / 90%	
	Controller	USB Interface / -	

**Dimensions**

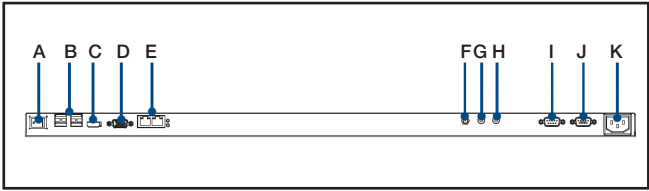
Unit: mm



**Ordering Information**

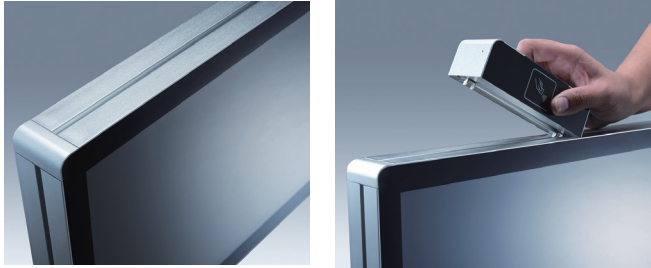
Part No.	Description
UTC-532FP-ATB0E	32" Intel® Skylake i5 6300U Based fanless UTC with PCT.T/S. 4 GB RAM
UTC-532EP-ATB0E	32" Intel® Core™ i5-4300U Based fanless UTC with PCT.T/S. 4 GB RAM
1702002605	Power cord 2P FRANCE 10A/16A 220V 1.83M 90D
1702002600	Power Cord 3P UL/CSA(USA) 125V 10A 1.83M 180D
1700000596	Power Cord (China) CCC, 10A 250V, 3P 1830mm
1700018704	Power Cord UK BSI 2P 10A 250V 180cm 18AWG
1960060677N001	IO Cover for UTC-532 series

**Fully- Integrated I/O**



- A. Power switch
- B. USB 3.0 x 2, USB 2.0 x 2  
(USB 3.0 x 1, USB 2.0 x 3 for UTC-532D)
- C. HDMI
- D. VGA
- E. LAN Port x 2
- F. Antenna Port
- G. Line-out
- H. Mic-in
- I. COM2
- J. COM1
- K. AC Power

Side groove design for Flexible peripheral device



**Peripherals for UTC-500 series**

Part No.	Description
UTC-P01-A1E	5M Camera Module For UTC-5XX (USB connection)
UTC-P02-A0E	Magnet Strip Reader For UTC-5XX (USB connection)
UTC-P03-A0E	RFID Reader For UTC-5XX (USB connection)
UTC-P06-A0E	Smart Card Reader For UTC-5XX (USB connection)
UTC-P07-A1E	1D/2D Barcode Reader For UTC-5XX (USB Connection)
UTC-P21-A0E	4 in 1 Modules Barcode reader + RFID + Card reader + MSR

**Installation Accessory**

Part No.	Description
UTC-WALL-MOUNT2E	Wall Mount kit for UTC-532
UTC-H01-STANDE	H-shaped floor stand



**Advantech Partner**  
**Beratung-Verkauf-Service**  
Integer Solutions GmbH  
Industriestraße 4, 61200 Wölfersheim  
Tel.: +49-6036-90557-0  
www.integer-solutions.com