

DLT-V6210

Rugged Vehicle-Mounted Terminal with Sunlight-Readable Display



Features

- Intel® Atom™ E3825 dual-core, 1.33 GHz, with 4 GB RAM
- 10.4" XGA color TFT display with 600/1300 cd/m² brightness for both indoor and outdoor applications
- Rugged, IP65-rated design with 5M3 certification
- IK08-certified touchscreen for impact tolerance and abrasion resistance
- Wide operating temperature range (-30 ~ 50 °C/-22 ~ 122 °F) to withstand extreme environments
- Support latest WLAN standard with seamless Wi-Fi roaming capability
- Support WWAN for outdoor operations

Introduction

DLT-V6210 is a rugged vehicle-mounted terminal designed for efficient logistics applications. With its IP65-rating for protection from water and dust ingress, wide operating temperature range (-30 ~ 50 °C/-22 ~ 122 °F), rugged design, as well as impact-tolerant, scratch-resistant projected capacitive multi-touch display, DLT-V6210 is built to withstand operation in extreme industrial environments. Moreover, the terminal's sunlight-readable display supports operation in direct sunlight for outdoor applications. Finally, a low-profile external Wi-Fi antenna is included to ensure reliable connectivity for logistics and fleet management.

Specifications

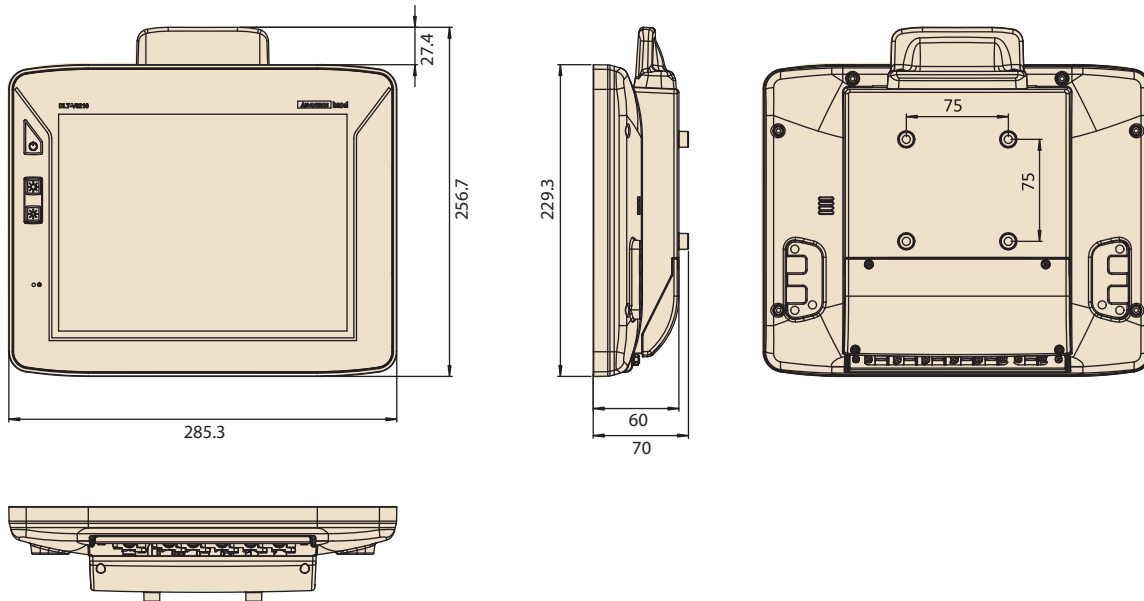
System	CPU	Intel® Atom™ E3825 dual-core, 1.33 GHz, with 4 GB RAM
	Memory	32 GB CFast
Dimensions (W x H x D)		285.3 x 256.7 x 70 mm (11.23 x 10.11 x 2.76 in)
Weight		3.2 kg (7.05 lb)
Housing		Coated aluminum with completely sealed, fanless design
Display		10.4" XGA color TFT with 1024 x 768 resolution and 600/1300 cd/m ² brightness
Touchscreen	Type	Projected capacitive touchscreen with multi-touch control
Control Buttons	Front Panel	3 x control buttons (1 x power, 1 x brightness up, 1 x brightness down)
Software	Operating System	Windows 10 IoT Enterprise
Communication	WLAN	WLAN IEEE 802.11 a/b/g/n/ac (optional)
	WWAN	WWAN (LTE, UMTS, HSPA+, GSM, GPRS, EDGE) (optional)
	WPAN	Bluetooth 5.0
	LAN	2 x LAN RJ45 10/100/1000 Mbit/s
I/O Interfaces	Serial	1 x RS-232; 5 V _{DC}
	USB	3 x USB 2.0 host Type A, 5 V _{DC} , 500 mA
	External Antennas	1 x RSMA for WLAN, 2 x SMA for WWAN (optional)
	SIM Card	1 x mini SIM card slot
Audio		1 x integrated speaker (2W)
Power Supply		12/24/48 V _{DC} nominal voltages with automatic Power On/Off functionality via vehicle ignition
Environmental	IP Rating	IP65 rating for the entire system
	Operating Temperature	-30 ~ 50 °C (-22 ~ 122 °F)
	Relative Humidity	10 to 95% at 25 °C (77 °F), non-condensing
	Shock/Vibration	5M3 (EN 60721-3-5) and MIL-STD 810F (US highway truck vibration exposure)
	Touchscreen Durability	IK 08
Certification		CE Immunity Class A, Emission Class B/FCC Class B (for EU and USA), TELEC (for Japan), CCC/SRRC (for China)



Advantech Partner
Beratung-Verkauf-Service
Integer Solutions GmbH
Industriestraße 4, 61200 Wölfersheim
Tel.: +49-6036-90557-0
www.integer-solutions.com

Dimensions

Unit: mm



Ordering Information

Part Number	Description	CPU	Memory	Storage	Wifi	BT	GPS	3G	OS
DLV6210-7PL100WFO	DLT-V6210FL 600 nit/Barebone	Intel Atom E3825 Dual Core 1.33GHz	4GB	64GB	V	V	X	X	win 10
9768MDKT004	WLAN WWAN GPS Kit for EU	X	X	X	X	X	X	V	X
9768MDKT005	WLAN WWAN GPS Kit for USA	X	X	X	X	X	X	V	X
9768ANTN009	External WWANAntenna 3M, WLAN Antenna 3M, GPS mouse 1.5M	X	X	X	X	X	V	X	X

Further configurations on request!

Packing List

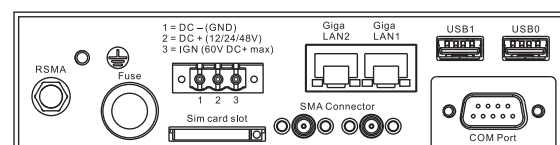
- Power Cable VDC 3m

Optional Accessories

Part Number	Description
DL-MTKT004	Mounting bracket 15° fixed
DL-MTRM001	RAM Mount double 1.5" (arm 150mm, tube mount)
DL-MTRM002	RAM Mount double arm 1.5" (2 arm 150mm)
DL-MTRM003	RAM-Mount long (arm 215mm/plate)
DL-MTRM004	RAM Mount short 2.25" (arm 130mm/plate)
DL-STYL010	Stylus with mounting, right, for PCT

Further configurations on request!

I/O Connectors



Advantech Partner
 Beratung-Verkauf-Service
 Integer Solutions GmbH
 Industriestraße 4, 61200 Wölfersheim
 Tel.: +49-6036-90557-0
 www.integer-solutions.com